

# Washer extractor

## WH6-14 Compass Pro



Washer featuring exceptional savings and effortless use



### Priority on people

Certified ergonomic design with a human-centered approach for an outstanding user experience

Compass Pro® microprocessor offers:

- Easy program selection
- Language selection
- Quick selection and option buttons for the most frequently used wash programs and options
- Wash program packages optimized on Economy, Performance and Time



### Long-term savings

Innovative features designed for lowest possible water, energy and detergent consumption, to save money and time, and embrace a sustainable lifestyle

- Automatic Savings weighs the linen and adjusts the water level to the amount of linen, saving water and energy at less than full load
- Power Balance measures, corrects the unbalance and adjusts the G force in real time, maximizing the dewatering, saving money and time in the drying process



### Pure control

Monitoring of the status of the equipment and performance from anywhere, allowing to take action to improve the business

- Washers connectable to OnE Laundry, the personal assistant for hygiene validation, process management and revenue management



### Global Advanced Hygiene

Global Advanced Hygiene program package\* with proven log 6 reduction\*\* disinfection of textiles through the laundry process, fulfilling the criteria of all local approved standards

### Main options

- Savings on chemicals with help of Efficient dosing, both ED peristaltic pumps and ED Venturi
- Connection to booking- /payment- system or coin meter



Images shown are a representation of the product only and variations may occur.

\* Programs available in the standard library of all products, excluding products for specific segments where water temperature is not controllable.

\*\* Log 6 reduction equals to 99,9999% viral infectivity reduction. The efficacy of reduction of SARS-CoV-2 and other pathogens in the process is confirmed by RISE (The Research Institute of Sweden) on the basis of Electrolux Professional laboratory data.

Main specifications				WH6-14				
Rated capacity, filling factor 1:9	kg/lb			14/30				
Drum, volume	litre			130				
Drum diameter	ø mm			650				
Extraction	rpm			1113				
G-factor				450				
Standard heating alternatives	electricity	kW	13.0					
	steam		x					
	non-heated		x					
<b>Consumption data "ECO 60°C"</b>				EI		Steam***		
Total time	min	Full load, 14 kg	Half load**, 6.5 kg	Full load, 14 kg	Half load**, 6.5 kg	Full load, 14 kg	Half load**, 6.5 kg	
Water consumption (cold+hot)	litre	60	54	60	54	60	54	
Energy consumption (motor/heating/hot water)	kWh	86+5	42+4	91+0	46+0	91+0	46+0	
Steam consumption	kg	0.30/1.75/0.25	0.30/0.9/0.2	0.30	0.30	3.0	1.65	
Residual moisture	%	-	-	3.0	1.65	45	46	
		45	46	45	46	45	46	

\* Water temperature 15°C cold water and 65°C hot water.

\*\* Programs with AS.

\*\*\* Depending on steam pressure.

Electrical connections					
Heating alternative	Main voltage		Heating power kW	Total power kW	Recommended fuse A
		Hz			
Electric heated	220-240V 1/1N -	50/60	4.8/13.0	5.2/13.4	25/63
	220-240V 3 -	50/60	4.8/13.0	5.2/13.4	16/35
	380-415V 3N/3 -	50/60	4.8/13.0	5.2/13.4	10/20
	440V 3 -	50/60	13.0	13.4	20
	480V 3 -	60	13.0	13.4	20
Steam or Non heated	220-480V 1 -	50/60	-	1.2	10

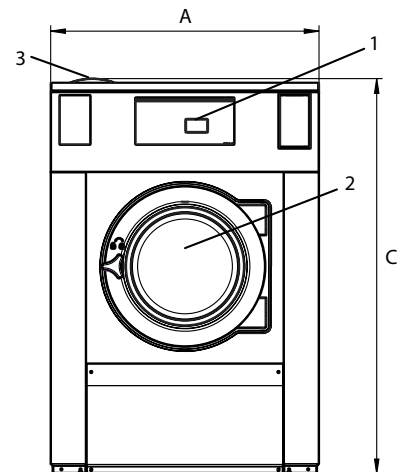
\* Total power and recommended fuse does not depend on the heating power in those cases.

Water and steam connection		WH6-14
Water valves	DN	20
Water pressure	kPa	200-600
Capacity at 300 kPa	l/min	20
Drain valve	ø mm	75
Draining capacity	l/min	170
Steam valve	DN	15
Steam pressure	kPa	300-600
Liquid detergent supplies		5
Floor requirements		
Frequency of the dynamic force	Hz	18.6
Floor load at max extraction	kN	3.1 ± 0.5
Sound levels		
Sound power/pressure level at extraction*	dB(A)	78/62
Sound power/pressure level at wash*	dB(A)	63/48
Heat emission		
% of installed power, max		5
Shipping data**		
Weight	net, kg	263
Shipping volume	m <sup>3</sup>	1.37
Accessories		
Steel base		x
Hose kits for water or steam		x
Fluff collector		x
Dimensions in mm		
A	Width	910
B	Depth	820
C	Height	1345
D1		440
D2		515
E		1310
F		1050
G		80
H		1245
I		375
J		295
K		1225
L		1125
M		360
N		105
O		305
P		295
Q		210
1	Operating panel	7 Cold/Hot water or
2	Door opening ø 395 mm	8 Re-used water with network pressure (option)
3	Detergent box	9 Re-used water from tank/pump or
4	Cold/Hot water (Detergent box)	10 Liquid detergent supply
5	Cold water	11 Drain
6	Hot water	12 Electrical connection
		12 Steam connection

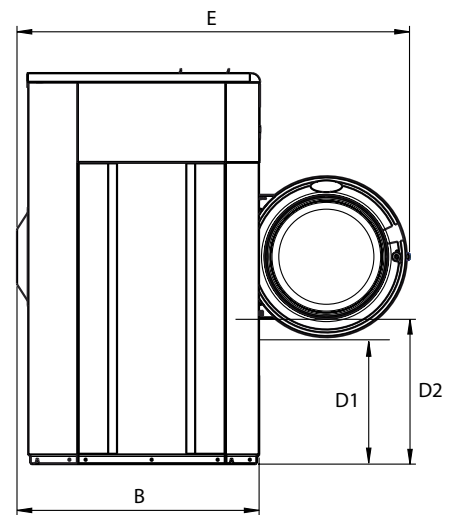
Front and side panels in silver grey and dark blue (color samples can be ordered on part number 472998313).

\* Sound power levels measured according to ISO 60704.

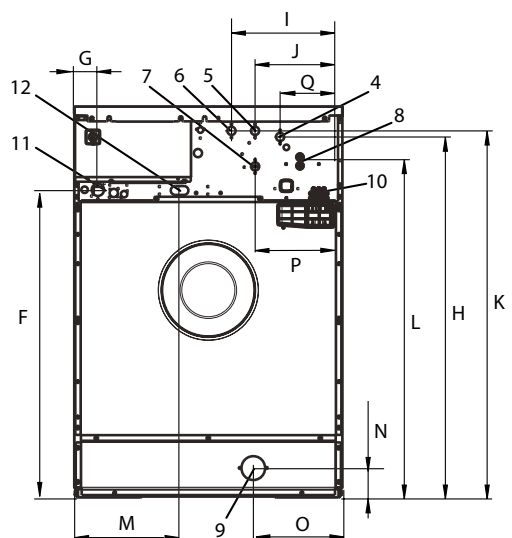
\*\* Average data. Crated weight/shipping volume depends on configuration. Please contact logistics for exact measures.



Front



Side view



Rear