

Operating and installation instructions for vented tumble dryer PT 7136 Vario

To avoid the risk of accidents or damage to the machine, it is **essential** to read these instructions before it is installed, commissioned and used for the first time.

en - GB

M.-Nr. 09 755 980

Caring for the environment

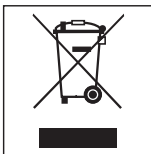
Disposing of the packing material

The transport and protective packing has been selected from materials which are environmentally friendly for disposal and should be recycled.

Ensure that any plastic wrappings, bags, etc are disposed of safely and kept out of the reach of babies and young children. Danger of suffocation.

Disposal of your old machine

Electrical and electronic machines often contain materials which, if handled or disposed of incorrectly could be potentially hazardous to human health and to the environment. They are, however, essential for the correct functioning of your machine. Please do not therefore dispose it with your household waste.



Please dispose of it at your local community waste recycling centre or contact your dealer for advice. Ensure that it presents no danger to children while being stored for disposal.

Energy saving tips

To avoid unnecessarily long drying times and high consumption of energy:

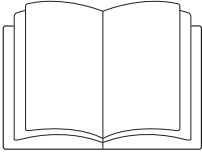
- Make sure that your laundry is thoroughly spun before drying. The higher the spin, the greater the savings that can be made in energy and time during drying.
- Load according to the optimum amount of laundry recommended for the programme being used. Underloading is uneconomical. Overloading gives a poorer quality of drying, and may cause unnecessary creasing.
- Make sure the room in which the dryer is located is well ventilated.
- Remove the fluff from the filter when necessary (see "Cleaning and Care").
- Check all parts of the ventilation system on a regular basis, and remove any build-up of fluff etc.
- The vent ducting should be as short, straight and smooth as possible to minimise any resistance to the air throughflow.

Caring for the environment	2
Warning and Safety instructions	5
Operating the tumble dryer	16
Control panel	16
Before using for the first time	16
Display	17
Operating the tumble dryer in Laundrette mode	19
Notes and tips on laundry care	20
1. Sort the laundry	20
2. Load the tumble dryer	21
3. Select a programme	21
Short instructions	22
Selecting a programme	26
Selecting/changing a programme	26
Low temperature	28
Saving a favourite programme	28
Timer	29
Changing the programme sequence	30
Payment system	30
Once a programme has started	30
- changing the programme	30
- cancelling the programme	30
Adding or removing laundry after a programme has started	30
Power cut	30
Time remaining	30
Cleaning and care	31
Cleaning the fluff filter	31
Removing the filter	31
Taking the filter apart	31
Cleaning the filter whilst dry	32
Cleaning the cartridge filter with water	32
Cleaning the filter housing	32
Replacing the filter	33
Cleaning the tumble dryer	33

Contents

Problem solving guide	34
Problem solving guide	34
Check and fault messages in the display	34
An unsatisfactory drying result	36
Other problems	37
Changing the lamp	40
After sales service	41
Repairs	41
PC / Optical interface	41
Optional accessories	41
Installation and connection	42
View from the front	42
Side view	43
Rear view	43
View from above	43
Washer-dryer stack	43
Installing the tumble dryer	44
Transporting the dryer to its installation site	44
Levelling the machine	44
Securing the tumble dryer against slippage	45
Payment system	45
Electrical connection	46
Single phase AC 230 V - country variant	47
Installation - extraction ducting	48
General	48
To calculate the total duct length	49
To calculate the total duct length	49
Calculation example	50
Installation to the rear, left or right hand side of the machine	50
Venting system with plastic piping	51
Venting system with flexible ducting	52
Main venting duct	54
Technical data	55

Warning and Safety instructions



► It is **essential** to read these instructions.

This tumble dryer complies with current safety requirements. Inappropriate use can, however, lead to personal injury and damage to property.

To avoid the risk of accidents and damage to the tumble dryer, please read these instructions carefully before using it for the first time. They contain important information on its safety, installation, use and maintenance.

Keep these instructions in a safe place and ensure that they are made available to new users. They must be made aware of these Warning and Safety instructions.

Pass these instructions on to any future users/owners.

Correct application

► This tumble dryer is only intended for drying fabrics which have been washed in a water solution, and marked on the manufacturer's care label as being suitable for tumble drying.

If using dry cleaning kits, do so at your own risk, and follow the instructions provided on the packaging.

Any other applications may be dangerous. Miele cannot be held liable for damage resulting from incorrect or improper use or operation.

► The tumble dryer is not intended for outdoor use.

Warning and Safety instructions

- ▶ The tumble dryer can only be used by people with reduced physical, sensory or mental capabilities, or lack of experience or knowledge, if they are supervised whilst using it or have been shown how to use it in a safe way and recognise and understand the consequences of incorrect use.
- ▶ Children under 8 years of age must be kept away from the tumble dryer unless they are constantly supervised.
- ▶ Children 8 years and older may only use the tumble dryer unsupervised if they have been shown how to use it in a safe way and recognise and understand the consequences of incorrect operation.
- ▶ Children must not be allowed to clean or maintain the tumble dryer unsupervised.
- ▶ Please supervise children in the vicinity of the tumble dryer and do not let them play with it.

Technical safety

- ▶ Before setting up the tumble dryer, check it for any externally visible damage.
Do not install or use a damaged tumble dryer.
- ▶ Do not make any alterations to the tumble dryer, unless authorised to do so by Miele.
- ▶ Do not connect the tumble dryer to the mains electricity supply by an extension lead. Extension leads are a fire hazard and do not guarantee the required safety of the tumble dryer.

Warning and Safety instructions

- ▶ The electrical safety of this tumble dryer can only be guaranteed when correctly earthed. It is essential that this standard safety requirement is met. If in any doubt, please have the electrical installation tested by a qualified electrician. Miele cannot be held liable for the consequences of an inadequate earthing system (e.g. electric shock).
- ▶ Unauthorised repairs could result in unforeseen dangers for the user, for which Miele cannot accept liability. Repairs should only be undertaken by a Miele authorised service technician, otherwise any subsequent damage will not be covered by the guarantee. Ensure current is not supplied to the tumble dryer until after maintenance or repair work has been carried out.
- ▶ Faulty components must only be replaced by genuine Miele original spare parts. Only when these parts are fitted can the safety standards of the tumble dryer be guaranteed.
- ▶ To ensure the correct performance of the tumble dryer and to prevent the risk of faults and fire, it is important to check it and carry out maintenance on a regular basis.
- ▶ The tumble dryer must be isolated from the electricity supply in the event of a fault and during cleaning and maintenance. Please also read the "Installation and connection" and the "Electrical connection" sections.
- ▶ The tumble dryer must not be used in a non-stationary location (e.g. on a ship).

Warning and Safety instructions

- ▶ Please observe the instructions in "Installation and connection" and "Technical data".
- ▶ The socket must be easily accessible after installation in order to disconnect the tumble dryer from the electricity supply.
- ▶ For hard-wired machines, the all-pole isolator provided on-site must be easily accessible after installation in order to disconnect the tumble dryer from the electricity supply.
- ▶ Do not block the gap between the base of the dryer and the floor with plinth facings, deep pile carpet etc. as this would hinder a sufficient intake of air.
- ▶ Make sure the dryer door can be opened without hindrance after installation.
- ▶ In areas which may be subject to infestation by cockroaches or other vermin, pay particular attention to keeping the tumble dryer and its surroundings in a clean condition at all times. Any damage which may be caused by cockroaches or other vermin will not be covered by the appliance guarantee.

Warning and Safety instructions

Correct use

- ▶ The maximum load of dry laundry for this tumble dryer is 6.5 kg. See the Programme chart for the maximum recommended loads in individual programmes.
- ▶ Do not let anyone sit or lean on the door, as this can cause the tumble dryer to tip up. Danger of injury.
- ▶ Always close the door after use. This way you will avoid the danger of:
 - children climbing into the dryer or hiding things in it.
 - pets or other small animals climbing into it.
- ▶ Do not use a pressure washer or hose to clean the tumble dryer.
- ▶ Always keep the area around the tumble dryer free of dust and fluff. Dust and dirt drawn into the tumble dryer can cause blockages. Faults can then occur as well as the risk of fire.

Warning and Safety instructions

▶ The tumble dryer must only be used when it is connected to a suitable ducting system. The installation site must be adequately ventilated.

- ▶ The ducting must not be connected to
- a chimney or vent flue which is in use,
 - or to ducting which ventilates rooms with fireplaces,
 - or to chimneys being used by other appliances.

Smoke or exhaust fumes can cause poisoning.

▶ Check all parts of the extraction system on a regular basis (e.g. wall vent, external grille, bends in the ducting etc.) and make sure they are all free of any hindrance. A build-up of fluff will prevent a free flow of air through the system. If the dryer is to be connected to an existing ducting system, this must be checked for suitability beforehand.

▶ Adequate ventilation is essential **to avoid the danger of asphyxia and toxic fumes** where another appliance which also uses the room air (e.g. gas, oil or coal fired heater, continuous flow or other water heater) is installed in the same or an adjacent room. To ensure safe operation, and to prevent gases given off by these appliances being drawn back into the room, an underpressure of 4 Pa is the maximum permissible.

Ventilation can be maintained by:

- air inlets in the external wall which cannot be closed or blocked, or
- by fitting a window contact switch which ensures that the appliance can only be operated when the window is open.

To ensure safe operation of your tumble dryer and to avoid an underpressure of 4 Pa or more, please seek professional advice.

Warning and Safety instructions

▶ If more than one tumble dryer is being installed using a joint ducting system, each dryer must have its own non-return flap to the joint ducting system.

Otherwise the dryers could be damaged, endangering their electrical safety.

▶ The fluff filter must be cleaned regularly.

▶ The dryer must not be used without the fluff filter in place or if the fluff filter is damaged in any way. A damaged filter can cause operational faults and blockages in the airways, the heating elements and in the ducting. Fire hazard.

In the event of a damaged filter, switch the dryer off and replace the filter with a new one.

▶ Do not install the tumble dryer in a room where there is a risk of frost occurring. At temperatures around freezing point the tumble dryer may not be able to operate properly.

The ambient room temperature should be between +2°C and +35°C.

Warning and Safety instructions

▶ To prevent the risk of fire, the following textiles must not be dried in this tumble dryer:

- items which have not been washed.
- items, such as workwear, which have not been thoroughly cleaned and which are still soiled with grease, oil or other deposits (such as cosmetics, lotions etc).
If items have not been thoroughly cleaned there is a danger that these might self-ignite when heated, even after they have been removed from the dryer at the end of the programme.
- items (e.g. mops and floor cloths) which have been treated with inflammable cleaning agents or which contain residues of acetone, alcohol, benzine, petrol, kerosene, stain remover, turpentine, wax, wax remover or other chemicals.
- items which have been splashed with hair lacquer, hair spray, nail varnish remover or similar substances.

When washing such heavily soiled items ensure that you use sufficient detergent and select a high temperature. If in doubt, wash the items several times.

▶ Remove all items such as lighters and matches from pockets.

▶ **Warning:** Do not switch the tumble dryer off before the drying programme has finished. If this is done, the laundry must be hung up or spread out to cool it down.

Warning and Safety instructions

► Danger.

This tumble dryer must not be connected to a controllable socket (e.g. a timer switch or a peak load shut-off device).

If the dryer programme were to be interrupted before the end of the cooling down phase, the laundry could self-combust.

► To prevent the risk of fire, the following must not be tumble dried:

- items which have been cleaned using chemicals (e.g. professional dry-cleaning agents).
- fabrics which contain a large proportion of rubber, foam rubber or rubber-like materials. For example, products made from latex foam rubber, shower caps, waterproof textiles, rubberised articles and items of clothing and pillows with foam rubber filling.
- damaged items which contain padding or fillings (e.g. pillows, jackets). When damaged, the filling can get out with the risk of igniting in the dryer.

► In many programmes, the heating phase is followed by a cooling down phase to ensure that the items are not too hot to handle when you remove them (this also avoids the danger of the laundry self-igniting). The programme is not finished until the cooling down phase has been completed.

As soon as the programme has finished, remove all laundry from the drum.

► Fabric conditioner and similar products must be used according to the instructions on the manufacturer's packaging.

Warning and Safety instructions

▶ Benzine, petrol, paraffin or any easily flammable liquid must not be stored or used near the tumble dryer. Danger of fire and explosion.

▶ Do not allow air contaminated with chlorine, fluorine or other vapours containing solvents to get into the tumble dryer. Fire hazard.

▶ For tumble dryers with stainless steel surfaces:
The stainless steel surfaces must not come into contact with liquid cleaning and disinfecting agents which contain chlorine or sodium hypochlorite. These agents can have a corrosive effect on stainless steel.
Aggressive vapours containing chlorine can also be corrosive.
Do not, therefore, store containers of these agents near the tumble dryer.

Accessories

▶ Only use genuine Miele original spare parts and accessories with this tumble dryer.

If non-Miele parts are used, guarantee, performance and product liability claims may be invalidated.

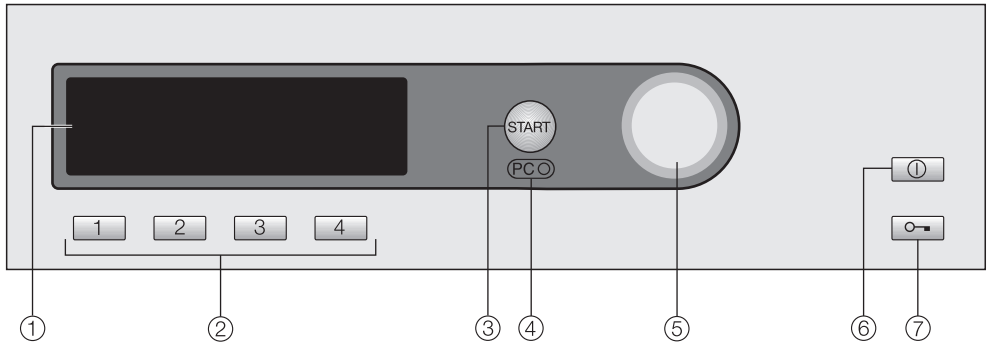
▶ A Miele tumble dryer can be stacked on top of a Miele washing machine using the appropriate stacking kit (available as an optional accessory). Please make sure you order the correct one for the Miele tumble dryer and Miele washing machine.

▶ If installing the machine on a Miele plinth, (available as an optional accessory), please make sure you order the correct one for this tumble dryer.

Miele cannot be held liable for damage caused by non-compliance with these Warning and Safety instructions.

Operating the tumble dryer

Control panel



① Display

After the machine has been switched on, the display lights up. As soon as the dryer is ready to use, the Entry menu appears in the display.

② Short cut buttons (keys)

For selecting an individual drying programme quickly. These buttons can be programmed to select your own favourite drying programmes.

③ Start button

The indicator light flashes when a programme can be started and lights up when the programme starts.

④ PC/Optical interface

This is used by Miele service technicians during servicing work for testing purposes.

⑤ Multi-function selector

This is used to select menu options (by turning it) and to confirm your selection (by pressing it).

⑥ On/Off button ①

For switching the dryer on and off. To save energy the dryer will switch off automatically 15 minutes after the end of the programme/anti-crease phase or 15 minutes after the dryer is switched on if no other selection is made.

⑦ button

Opens the machine door independently of the electricity supply.

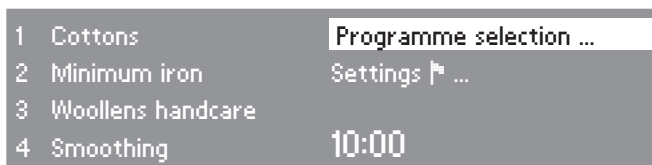
Before using for the first time

Before using the machine for the first time, ensure that it is correctly installed and connected. See "Installation and connection".

Commission the machine as described in the separate booklet "Commissioning, Programme chart and Settings" supplied with the machine.

Display

Entry menu



When the tumble dryer is switched on, the entry menu (with four favourite programmes listed) appears with *Programme selection* highlighted.

Multi-function selector

Turning the multi-function selector moves the highlighting to the next option.

Pressing the multi-function selector selects the highlighted option.

Shortcut buttons

Pressing a shortcut button selects one of the four favourite programmes shown on the left of the display.

If you wish to change the programmes shown in this list you can do so (see "Selecting a programme - Saving a favourite programme" for more information).

The shortcut buttons have different functions in the other menus. Where this is the case, an arrow ▼ will appear in the display above the shortcut button, together with a description of its function .

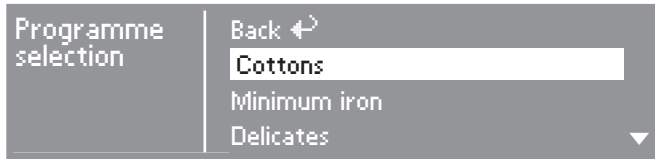
Programme selection

There are two ways of selecting a programme:

- Option 1: Select the *Programme selection* menu in the display and confirm your selection by pressing the multi-function selector.
- Option 2: Press shortcut button or . This will automatically take you into the main menu for that programme.

Operating the tumble dryer

Programme selection menu



You can use the multi-function selector to select any programme. The highlighting will move up or down depending on the direction the multi-function selector is turned in.

The ▼▲ arrows on the right of the display, indicate further options.

Pressing the multi-function selector takes you to the main menu of the programme selected.

Drying programme main menu



- Turn the multi-function selector to highlight either the "Drying level" or the "Programme".
 - Pressing the multi-function selector selects the highlighted option and opens the relevant sub-menu.
 - *Low temperature* and *Timer* can be selected by pressing shortcut buttons **[1]** or **[2]**.
 - To go back to the entry menu press shortcut button **[4]**.

Alternatively, you can also highlight and confirm all options by just using the multi-function selector.

Settings menu **[F]**

The *Settings* menu **[F]** is used to alter the tumble dryer's electronics to suit different requirements. See the separate booklet "Commissioning, Programme chart and Settings" for further information.

Operating the tumble dryer in Laundrette mode

The entry menu will vary depending on the *Controls* setting selected.

- The dryer is operated either with shortcut buttons 1, 2, 3, 4 or the multi-function selector.

WS-shortcut keys, basic

1	Cottons	Normal+
2	Minimum iron	Normal
3	Woollens handcare	
4	Cool air	

4 programmes are available to choose from. To specify which programmes are available go to the *Settings/supervisor level* menu.

WS-shortcut keys + Logo



12 drying levels and timed programmes are available to choose from. To specify which programmes are available go to the *Settings/supervisor level* menu.

WS-shortcut keys, ex/int time










4 timed programmes with different temperature levels are available to choose from. To specify which programmes are available, go to the *Settings/supervisor level* menu.

Notes and tips on laundry care

1. Sort the laundry

Garment care label symbols


Drying	
	Normal/higher temperature
	Reduced temperature: Select <i>Low temperature</i> (for delicate textiles)
	Do not tumble dry
Ironing	
	Very hot
	Hot
	Warm
	Do not iron


Before drying

- Wash heavily soiled items very thoroughly, ensuring that you use sufficient detergent and select a high temperature. If in doubt, wash the items several times.
- Do not put soaking wet items into the tumble dryer. Make sure that your laundry is thoroughly spun before drying.
The higher the spin, the greater the savings that can be made in energy and time during drying.

- New dark-coloured garments should be washed and dried separately from light-coloured garments the first few times they are washed, to avoid the risk of colours running and discolouring other garments or even the plastic components in the tumble dryer.
Dark-coloured fibres can also settle on light-coloured garments and vice versa.
- Starched laundry can be dried in the tumble dryer. To achieve the usual finish, double the amount of starch should be used.
- Check the seams of padded or down-filled items to prevent the risk of fillings coming out. These could catch fire in the tumble dryer.
- Tie together textile belts and apron ties to stop them getting tangled.
- Fasten duvet covers etc. to prevent small items from being trapped inside them. Fasten hooks and eyes etc.
- Stitch in or remove loose underwiring from bras.
- Leave jackets open and undo any long zips so that textiles dry evenly.
- For an even drying result, it is important to . . .
 - . . . spin,
 - . . . shake out,
 - . . . and sort items according to fabric type, size, care label and the drying level required.

2. Load the tumble dryer

 Using the tumble dryer incorrectly could cause a fire. Read the "Warning and Safety instructions" before using the tumble dryer.

 Make sure that objects, e.g. detergent dispensing balls, have been removed from the laundry. They could melt and cause damage to the dryer or the laundry.


- Do not overload the drum. Overloading can cause unnecessary wear and tear to the laundry, give a disappointing drying result and cause more creasing.
- To save energy, always observe the maximum load for each programme (see the separate booklet "Commissioning, Programme chart and Settings").
- Minimum iron fabrics tend to crease more the greater the load. This is also the case for garments made from very fine weave fabrics, such as shirts or blouses. If necessary, reduce the size of the load for these types of fabrics.

3. Select a programme

- On many programmes, different drying levels can be selected depending on individual requirements . . .
. . . e.g. *Normal+* for laundry that you want to fold and put away immediately after drying.


. . . e.g. *Machine iron* or *Hand iron* if the laundry needs further processing after drying.

See separate booklet "Commissioning, Programme chart and Settings".

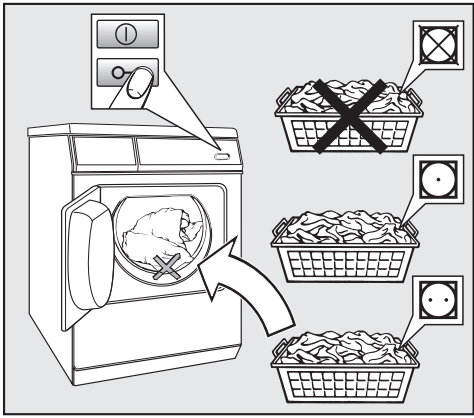
- For delicate fabrics with the  care label, select *Low temperature* as well.
- Down-filled garments have linings which have a tendency to shrink, depending on the quality of the item. They can be partially dried using the *Smoothing* programme.
- Pure linen should only be machine dried if specified as suitable by the manufacturer on the care label, as the surface of the fabric may otherwise become rough. They can be partially dried using the *Smoothing* programme.
- Woollens and wool blends tend to become matted and shrink if dried in a tumble dryer. Only dry these fabrics in a *Woollens* programme.
- Loopknit garments (e.g. T-shirts and underwear) tend to shrink depending on their quality. Do not over-dry these textiles. When purchasing these garments it is advisable to take their shrinkage properties into account.

Short instructions

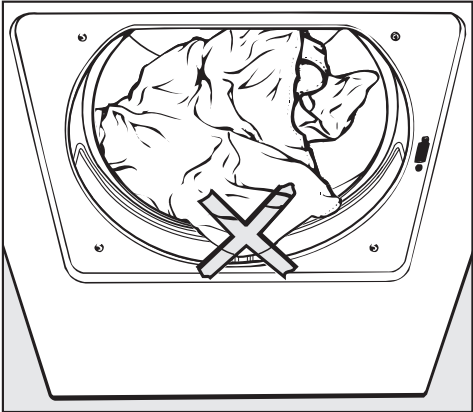
1 Sort the laundry


 It is very important to read the "Notes and tips on laundry care" section before proceeding.

2 Load the tumble dryer




- Open the door.
- Load the drum.



 To avoid damaging your laundry, when shutting the door check that no items of laundry have become trapped in the door opening.

- Shut the door either with a gentle swing, or lean against it and push it shut.

③ Select a programme

- Switch the dryer on by pressing the *On/Off*  button.

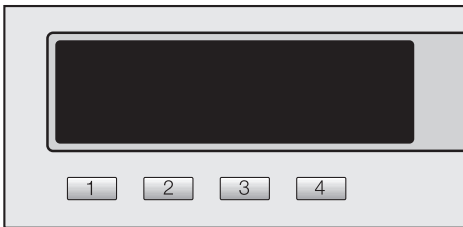
Please note:

- If no further selection is made within 15 minutes, the dryer will switch off automatically.
- This does not apply to machines with a payment system.

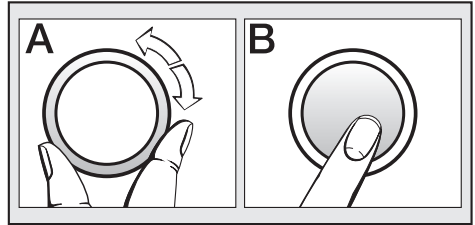
Programme chart

- See separate booklet "Commissioning, Programme chart and Settings".

You can select a programme either by:



1. Using the appropriate short cut button to select one of the four programmes listed in the display ("favourites"), or



2. Selecting a programme from the *Programme selection* menu (turn **A** and press **B**).

Select *Low temperature* or *Timer*, if required

- Select *Low temperature* and/or the *Timer* (Delay start time) from the relevant sub-menu.

Coin operation/payment system

If your machine is connected to a payment system, the amount of payment required will appear in the display.

Opening the door or cancelling the programme after it has started may cause a loss of credit (depending on how the tumble dryer was set up).

Short instructions

4 Start the programme

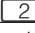
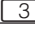
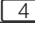
The *Start* button will flash as soon as a programme can be started.

- Press the *Start* button.

The *Start* button will now light up.

- *Prog. running* will appear in the display, followed by *Drying* and the programme duration.
- With sensor drying programmes, e.g. *Machine iron ... Hand iron* etc., the drying level reached will be shown in the display later on.

Once drying is in progress, you can press one of the short cut buttons:

- Button  *Timer* to call up the estimated end time of the programme and the current time of day.
- Button  *Save* to save the current programme as a favourite.
- Button  *Cancel* to cancel the current programme.
This only applies to machines with a payment system, if a programme can be cancelled without the loss of credit.

See section "Changing the programme sequence" for further information about the following:

- Payment system
- Changing a programme once it has started
- Cancelling the current programme
- Adding or removing laundry after a programme has started

- Interruption to the power supply
- Time remaining

Programme duration/Estimated time remaining

When a programme is selected, the estimated duration will appear in the display. Please be aware that it is only an estimate!

The following factors all affect the estimated time remaining: residual moisture content after spinning; type of fabric; size of load; room temperature; fluctuations in power supply.

The electronics assess conditions in the dryer and adjust the estimated time remaining for a more accurate reading. Because of this, the time displayed can alter during the course of a programme.

Before the end of a programme

In many programmes the heating phase is followed by the cooling down phase: *Cooling down* will appear in the display. The programme is not finished until the cooling down phase has been completed.

Do not switch the tumble dryer off before the end of the drying programme.

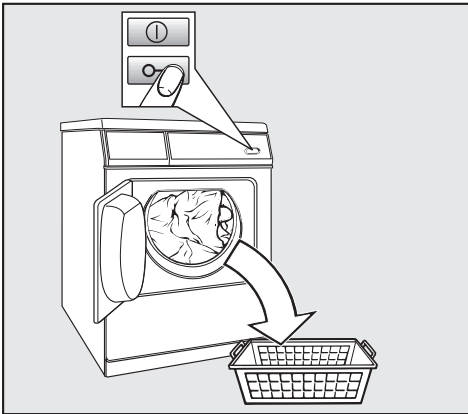
5 Remove the laundry when the programme has finished

Anti-crease (if selected) and *Finish* will appear in the display to indicate that the programme has finished.

Please note:

- To avoid creasing, during the anti-crease phase the drum will continue to turn at intervals until the laundry is removed.
- The dryer will switch off automatically 15 minutes after the end of a programme/the end of the anti-crease phase.

It is advisable to remove laundry as soon as the programme has finished.



- Open the door.
- Remove everything from the drum.

Check that all items have been removed from the drum. Anything left in the dryer could be damaged by overdrying when it is next used.

The drum lighting will come on when the door is opened. It will go out a few minutes later to save energy.

- Switch the dryer off by pressing the *On/Off* ① button.

The display will go out.

- Close the door.

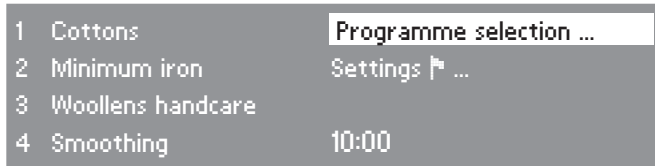
Maintenance after each drying programme

- Please see "Cleaning and care" for details.

Selecting a programme

Selecting/changing a programme

Entry menu



- Press shortcut button 1.

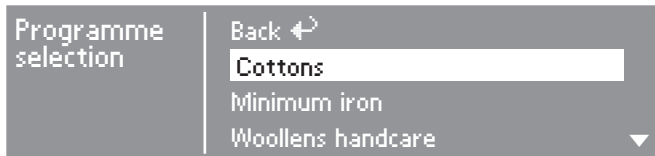
Main menu



- By turning the multi-function selector you can then highlight the following options in the display: Programme (*Cottons*) or the drying level (*Normal*), and confirm your selection by pressing the multi-function selector.

Depending on the option highlighted, the following will be displayed:

– Programme selection

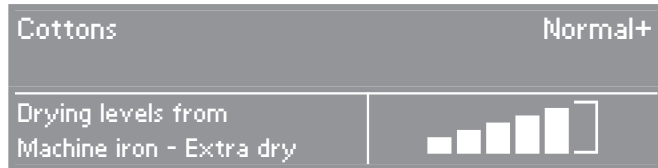


- Use the multi-function selector to select the programme you want, and confirm your selection. The main menu will reappear.

Selecting a programme

Note: If you do not make a selection in the sub-menu within approx. 20 seconds, the display will revert to the main menu.

– Programmes with drying levels



- Use the multi-function selector to select the drying level you want, and confirm your selection.
- The display will show which drying levels can be selected for each individual programme.

– Programmes where the time can be altered



- You can increase or decrease the duration of the programme* using the multi-function selector.

The programme end time for the duration selected will also appear.


* If the tumble dryer has a payment system, the maximum duration for a programme is set during the commissioning process under the controls option *WS-shortcut keys, ex time/int time*.

– Other programmes

You cannot alter the drying level or duration for the other programmes.

Selecting a programme

Low temperature

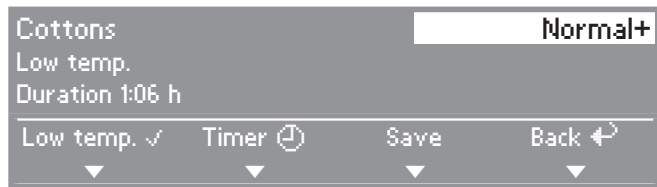
Select *Low temperature* for all delicate or minimum iron fabrics with the  care label (e.g. acrylic garments).

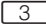
- Delicate fabrics are dried at a lower temperature.
- The programme duration is longer.

■ Press shortcut button  *Low temp.*

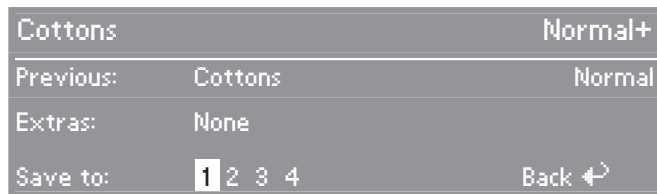
Saving a favourite programme

You can programme the shortcut buttons to call up the four most frequently used drying programmes. The *Save* option must be activated via the *Settings/Supervisor level* menu before the shortcut buttons can be programmed.



■ Press shortcut button  *Save*.

Selecting a shortcut button



■ Use the multi-function selector to select the number you want to save the programme to, and confirm your selection. Your settings have now been saved and the favourite programme will appear in the entry menu.

Repeat the procedure if you want to customise other favourite programmes, and save them to short cut buttons which have not yet been used.

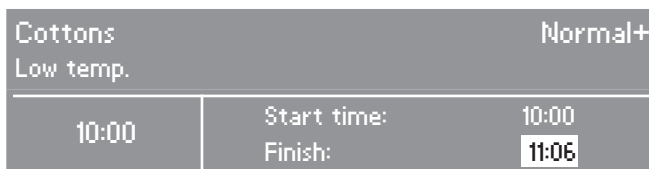
Depending on the *Delay start* setting, you can use the Timer to set the time you wish a programme to finish or start at, or you can delay the start of the programme.

To open the Timer sub-menu



- Use shortcut key **[2]** *Timer* to open the *Timer* sub-menu.

To select a delay start time



- Select the time required (in 30 minute steps) using the multi-function selector, and confirm.

The start and finish times will now be postponed by the time inputted. The maximum time that an automatic programme start can be delayed by is 24 hours.

To start the timer

- Press the *Start* button.

The timer will count down in minutes until the start of the programme. If the delay start time selected is more than one hour, the drum will turn briefly every hour to prevent creasing.

To cancel the timer

- Press shortcut button **[4]** *Cancel*.
- The programme can now be started.

Changing the programme sequence

Payment system

Opening the door or cancelling the programme after it has started may cause a loss of credit (depending on how the tumble dryer was set up)*.

* Either during the commissioning process or subsequently, a Miele service technician can re-set the payment system so that programming changes can be made.

Once a programme has started

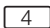
- changing the programme

You cannot change to another programme once a programme has started (this prevents unintentional alterations).

You will need to cancel the current programme before you can select a new one.


- cancelling the programme

- Press shortcut button  *Cancel*.

On some programmes, laundry will be cooled down if a certain temperature has been reached. If shortcut button  *Cancel* is pressed again, *Finish* appears in the display.

- Open the door.
- Close the door.
- Immediately select the programme you want, and then start it.

Adding or removing laundry after a programme has started

 The laundry, the drum and the back of the tumble dryer all become very hot during operation. Take care when in the vicinity of the appliance, when opening the door and handling freshly dried laundry. Danger of burning.

- Press shortcut button  *Cancel*.

On some programmes, laundry will be cooled down if a certain temperature has been reached.

- Only open the door once the laundry has cooled down completely.
- Add or remove items as required.
- Close the door.
- Select a programme.
- Press the *Start* button.


Power cut

- If the tumble dryer was switched off during a programme or there has been a power cut:
- Press the OK button after switching the dryer back on and start the programme again.

Time remaining

The time left shown in the display may now vary from the actual drying time.

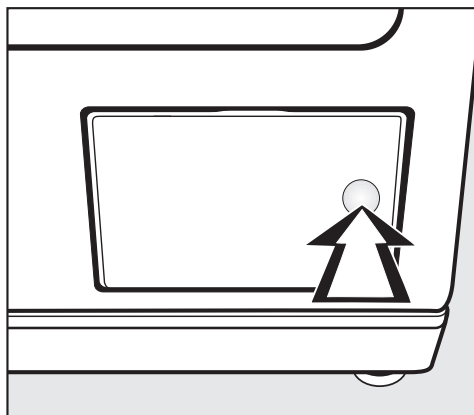
Cleaning the fluff filter

 The fluff filter should be checked and cleaned regularly, but always clean immediately if the *Clean out airways* message shows in the display.

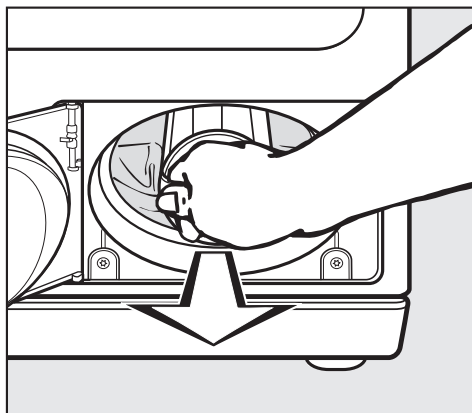
Fluff from items being dried is collected by a two-part cartridge fluff filter which needs to be removed and taken apart for cleaning.

Useful tip: You can also use a vacuum cleaner to remove the fluff.

Removing the filter

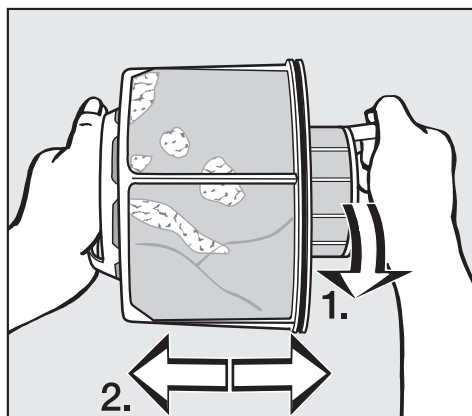


- Press on the right hand side of the access panel to the filter housing to open it.



- Pull the filter out by the handle.

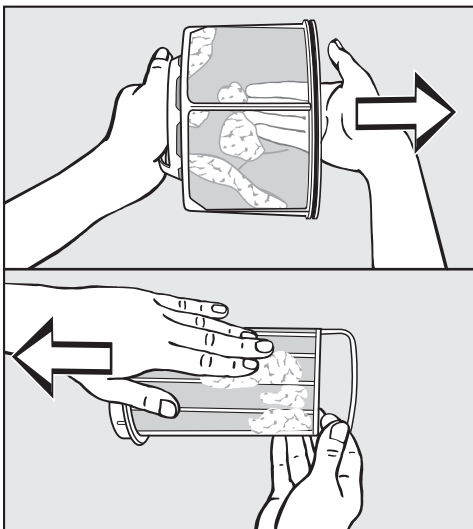
Taking the filter apart



- Holding the filter firmly by the handles on either side, twist the inner filter anti-clockwise as shown (1).
- Pull the two sections of the filter apart as shown (2).

Cleaning and care


Cleaning the filter whilst dry



- Use your fingers or a vacuum cleaner to remove the fluff from the two sections of the filter.

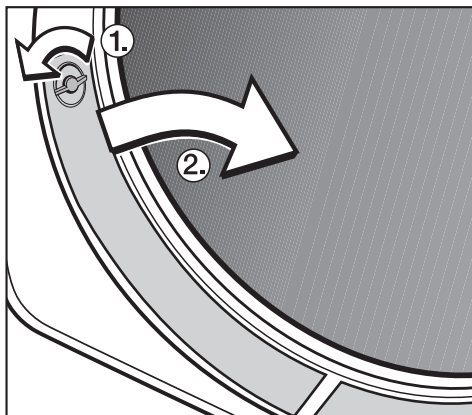
Cleaning the cartridge filter with water

If there is a great deal of compacted fluff on either part of the filter, they can be cleaned under hot running water.

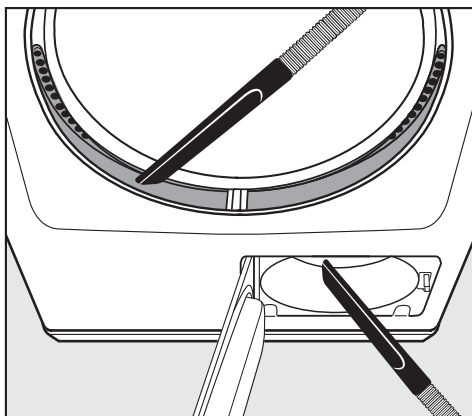
 Dry the two sections thoroughly before reassembling them. A damp or wet filter could cause operational faults when the dryer is switched on.

Cleaning the filter housing

The filter housing should be checked regularly, and **only** cleaned when there is a great deal of fluff there.



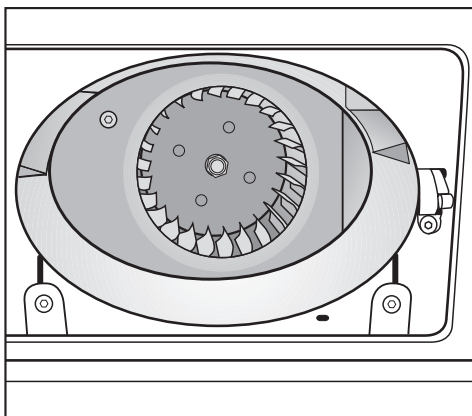
- Open the door.
- Turn the catches ① on the left and right covers until you hear them click.
- Holding the catches, pull the covers towards the middle and out as shown ②, and clean them.



- A vacuum cleaner can be used to remove the fluff.

- Replace the covers in the door opening by first inserting them at the bottom and then pressing them into place at the top.
- Turn both catches shut (you will hear them click).

The fan behind the filter can become clogged with detergent residues and fluff.



- Using a damp cloth, carefully clean
 - . . . any residues on the fan
 - . . . the fluff from around the fan
 - . . . the fluff from inside the access panel. Take care not to damage the rubber seal.

Replacing the filter

- Reassemble the inner and outer sections of the filter.
- Slowly turn the inner section of the filter clockwise until you hear it click.

- Holding the filter by the handle, push it into its housing as far as it will go. The handle on the inner section of the filter can be turned to enable the filter to be replaced and removed comfortably.
- Close the access panel.

Cleaning the tumble dryer

⚠ Disconnect the tumble dryer from the mains electricity supply.

⚠ Do not use solvents, abrasive cleaners, glass cleaners or all-purpose cleaners. These could damage plastic surfaces and other parts.

⚠ The tumble dryer must never be hosed down.


- Clean the housing and the control panel with a slightly damp cloth and a mild detergent or soapy water.
- The drum and other stainless steel parts can be cleaned with a suitable proprietary stainless steel cleaner following the manufacturer's instructions.
- Dry all parts with a soft cloth.

A range of Miele branded cleaning and conditioning agents is available to order via the Miele Spare Parts Department or via the internet at www.miele-shop.com.




Problem solving guide

Problem solving guide




With the help of the following notes minor faults in the performance of the appliance, some of which may result from incorrect operation, can be put right without contacting the Service Department.

 Repair work to electrical appliances should only be carried out by a suitably qualified person in strict accordance with current local and national safety regulations. Repairs and other work by unqualified persons could be dangerous. The manufacturer cannot be held liable for unauthorised work.

Check and fault messages in the display

Problem	Possible cause	Remedy
 Adjust the load The drum is empty or the laundry is too dry.	This is not a fault. In some programmes, if the drum has been overloaded or underloaded, the programme will be cancelled. This can also happen if the items are already dry.	Use the Hot air programme (timed drying) to dry individual items. To delete the message: – Open the door.
 Technical fault If restart is unsuccessful, call Service. A fault number (e.g. F43) might also be displayed.	A programme cannot be started while there is a fault message in the display.	– Make a note of what is shown in the display. – Try to start the programme again.
 Power failure Programme stopped Press OK button	The tumble dryer was switched off during a programme or there has been a power cut.	– Press the <i>OK</i> button after switching the dryer back on and start the programme again.

Problem solving guide

Problem	Possible cause	Remedy
 Clean out airways Clean the fluff filter. Check ducting. appears after a while.*	Reminder to clean the filter.	<ul style="list-style-type: none"> – Clean the fluff filter. To delete the fault message: <ul style="list-style-type: none"> – Confirm with <i>OK</i>.
 Clean out airways Clean the fluff filter. Check ducting. appears at the end of a programme.*	There is a blockage in the ducting system.	<ul style="list-style-type: none"> – Clean the fluff filter behind the access panel on the right hand side underneath the door. – Check all possible causes given under "The drying process goes on too long or even switches off." To delete the fault message: <ul style="list-style-type: none"> – Open and close the door.
	The vent ducting may be very long, which does not constitute a fault.	<ul style="list-style-type: none"> – If very long ducting is used, then programme times will be longer and energy consumption higher.
 Clean out airways Clean the fluff filter. Check ducting. appears after a programme has been cancelled.	There is a very severe blockage in the ducting system.	<ul style="list-style-type: none"> – See above. To delete the fault message: <ul style="list-style-type: none"> – Confirm with <i>OK</i>.

*** You can adjust the setting which controls if or when the check message appears:**

See "Clean the filter" and "Clean out airways" in the "Settings/Supervisor level menu" section in the separate booklet "Commissioning, Programme chart and Settings".

Problem solving guide


An unsatisfactory drying result		
Problem	Possible cause	Remedy
The laundry is not sufficiently dry.	The load consisted of different fabrics.	<ul style="list-style-type: none">– Finish drying using the Hot air programme (timed drying).– Next time, select a more suitable programme (see "Programme chart" in the separate booklet "Commissioning, Programme chart and Settings").
Feather filled pillows smell after drying.	Feathers are a natural product and this is quite normal.	The smell will dissipate after sufficient airing.
Items made of synthetic fibres are charged with static electricity after drying.	Synthetic fibres tend to attract static charge.	Static charge can be reduced by adding a fabric conditioner to the final rinse in the washing programme or a fabric conditioner sheet to the load when drying.
There is a build-up of fluff.	Fluff is principally the result of friction when garments are being worn and to some extent when they are being washed. Machine drying hardly causes any fluff to form and has no appreciable effect on the lifetime of the fabric.	Fluff is collected by the fluff filter and can be easily removed (see "Cleaning and care").

Other problems		
Problem	Possible cause	Remedy
The drying process goes on too long or even switches off.	You might be asked to clean the ducting system again.	Please check all possible causes, described below.
	The fluff filter is blocked.	– Remove any fluff.
	The filter housing is blocked with e.g. fluff and hair.	– Clean the filter housing. – The cover in the door opening can be removed to facilitate the cleaning of the filter housing below.
	The vent ducting or the ventilation outlet is blocked with e.g. fluff or hair.	– Check all parts of the vent ducting system on a regular basis (e.g. bends in the ducting etc.) and clean them if necessary.
	Ventilation to the dryer is insufficient (e.g. because it is installed in a room which is too small).	Open a door or window while the tumble dryer is in operation for increased air flow.
	The laundry has not been spun sufficiently.	Make sure that your laundry is thoroughly spun at the appropriate spin speed in the washing machine.
	The tumble dryer has been overloaded.	Do not exceed the maximum load for the programme selected.
	Metallic components, e.g. zips, have prevented the dryer from registering the correct moisture level in the laundry.	– Open zips next time. If the problem occurs again, dry garments with long zips using the Hot air programme (timed drying).

Problem solving guide

Problem	Possible cause	Remedy
There is a build-up of condensed water in the drum.	There is more than one tumble dryer vented together.	<ul style="list-style-type: none"><li data-bbox="729 193 1044 352">– The dryer must only be connected to a joint ducting system if a non-return flap is in place.<li data-bbox="729 360 1044 480">– Check the non-return flap regularly for damage, and replace it if necessary.
Power cut	<ul style="list-style-type: none"><li data-bbox="402 496 717 555">– Once power has been restored, switch the dryer back on with the Ⓜ button.<li data-bbox="402 563 717 592">– Press <i>OK</i> to confirm.	

Problem solving guide

Problem	Possible cause	Remedy
The programme does not start and the display is dark.	There is no power to the dryer.	<ul style="list-style-type: none"> – Is the dryer switched on? – Is the door closed properly? – Has the fuse or circuit breaker tripped?
		When the power comes back on after a power cut, confirm with <i>OK</i> and start the programme again.
	The dryer switches off automatically after 15 minutes if no further selection is made.	Switch the dryer on.
The display is dark and the <i>Start</i> button is flashing slowly.	The display has switched off automatically to save energy: Standby.	The display and the multi-function selector will light up when one of the buttons is pressed.
The display is in a different language.	A different language has been selected.	Set the language you want. The flag symbol  will guide you.
The <i>Start</i> button light flashes when a programme is being selected.	The flashing indicates that a programme can be started.	Once the programme has been started, the <i>Start</i> button stops flashing and lights up constantly.
The interior drum lighting does not come on.	The lighting switches off automatically (to save energy).	<ul style="list-style-type: none"> – It will switch on again after the door has been closed and then opened. – If the lamp needs to be replaced, follow the instructions in "Changing the lamp" at the end of this section.

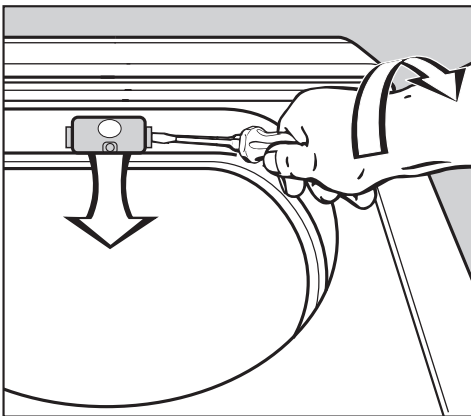
Problem solving guide

Changing the lamp

Disconnect the tumble dryer from the mains electricity supply.

- Open the door.

You will find the interior lamp cover at the top of the drum aperture.



- Insert a suitable tool, such as a wide bladed screwdriver, under the side edge of the lamp cover as illustrated.
- Apply a little pressure and whilst doing so turn your wrist in the direction of the arrow to open the cover.

The cover will open downwards.

The temperature resistant lamp should only be ordered from your Miele dealer or the Miele Spare Parts Department.

The lamp specification and maximum wattage is stated on the data plate and on the lamp cover.

- Replace the lamp.
- To close the cover push it upwards and press it on the left and right until you hear it click into position.

⚠ Ensure that it is fitted into position securely, as any moisture could cause a short circuit.

Repairs

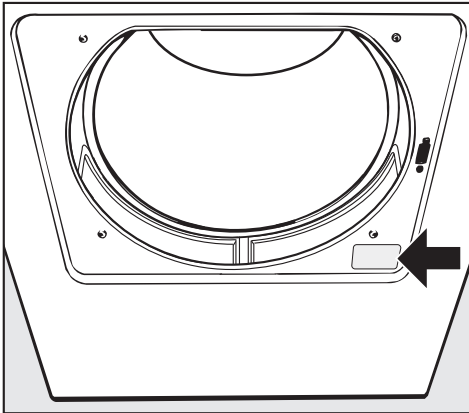
In the event of any faults which you cannot remedy yourself, or if the tumble dryer is under guarantee, please contact

– your Miele Dealer

or

– the Miele Service Department (see back cover for contact details).

When contacting the your Dealer or the Service Department, please quote the model and serial number of your dryer both of which are shown on the data plate.



N.B. A call-out charge will be applied for service visits where the problem could have been resolved as described in these instructions.

PC / Optical interface

The indicator or check light marked **PC** on the fascia panel is the interface used by Miele service technicians during servicing work for testing purposes and for updating the machine's programme data.

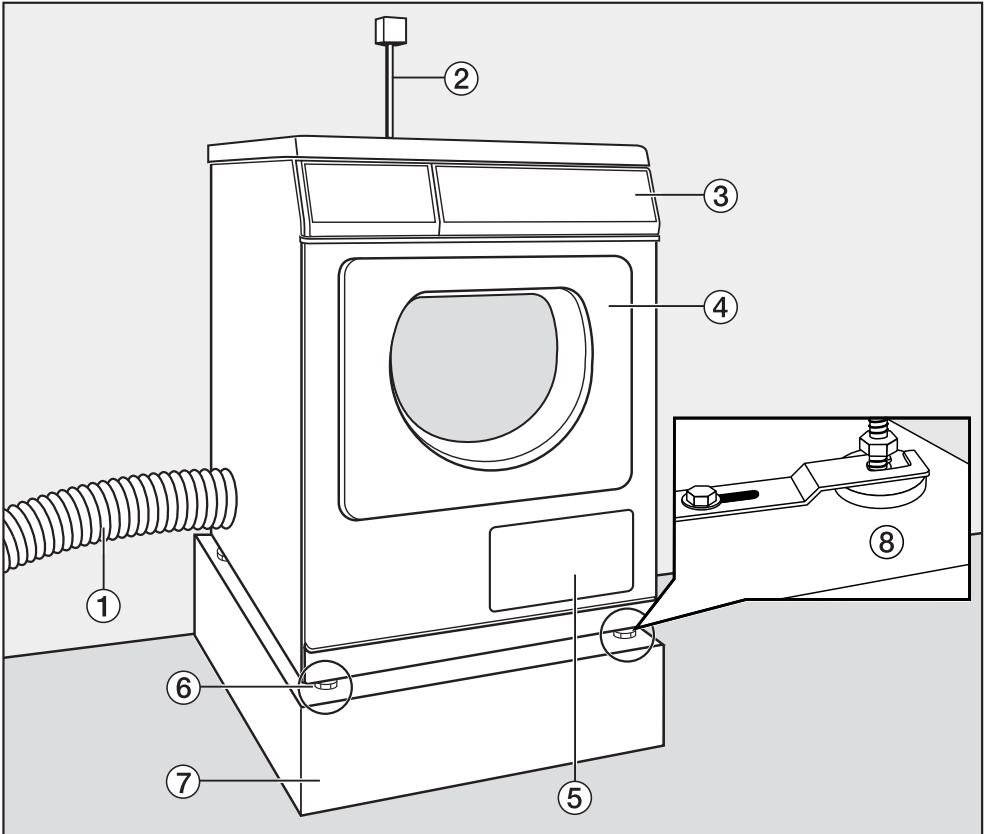
Optional accessories

Optional accessories for this dryer are available from your Miele Dealer or from the Miele Spare Parts Department.

Please note that telephone calls may be monitored and recorded for training purposes.

Installation and connection

View from the front



① Vent ducting

② Mains connection cable

③ Control panel

④ Door

⑤ Access panel to fluff filter

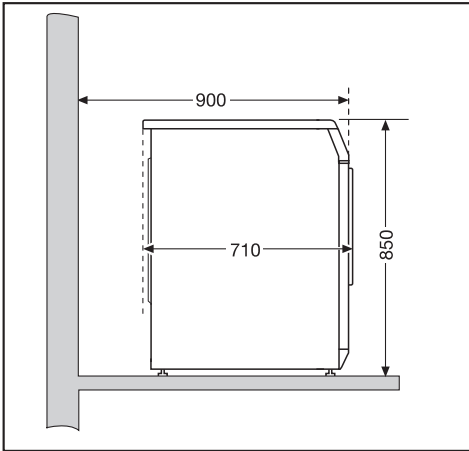
⑥ Four height adjustable screw feet

⑦ Plinth

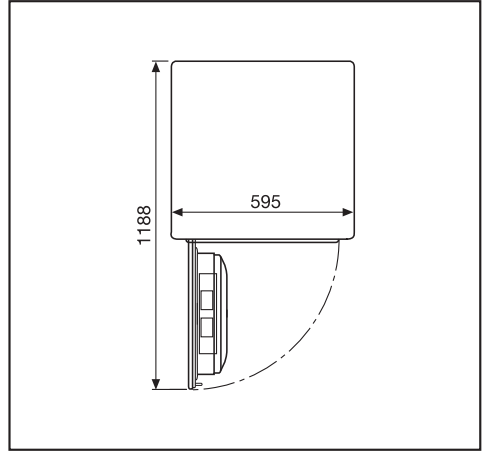
⑧ Fixing bracket (for installing on a concrete plinth)

Installation and connection

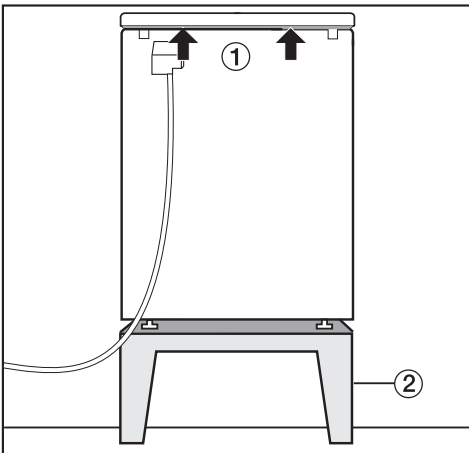
Side view



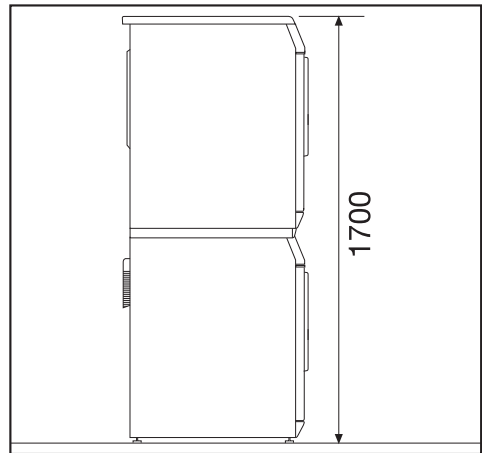
View from above



Rear view



Washer-dryer stack




- ① Protruding lid (see arrows) for holding when moving the machine
- ② Steel plinth base (optional accessory, available open or closed)

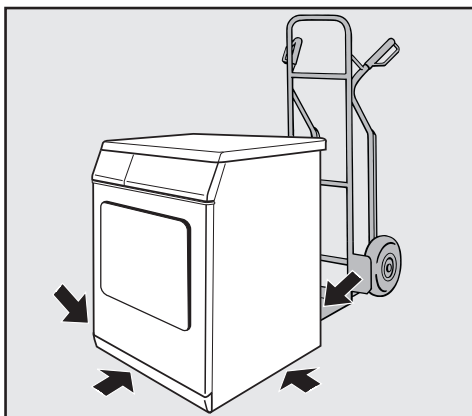
The tumble dryer can be combined with a Miele washing machine in a washer-dryer stack. A stacking kit is required which can be purchased from Miele. The stacking kit must be fitted by a Miele authorised service technician.

Installation and connection


Installing the tumble dryer

 Make sure the dryer door can be opened without hindrance after installation.

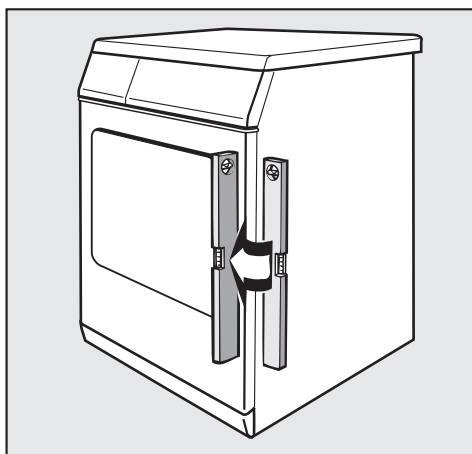
Transporting the dryer to its installation site



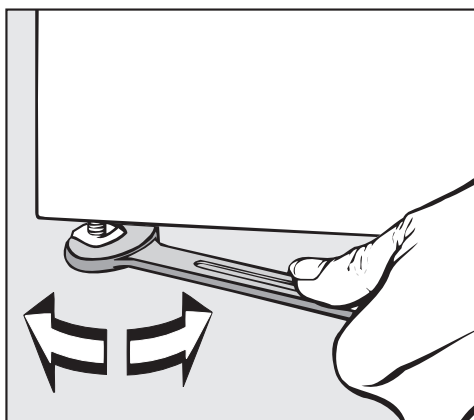
When moving the dryer hold it by the lid where it protrudes to the rear. To manoeuvre the dryer out of its packing case to its installation site you will also need to hold it by the front feet.

 Ensure the tumble dryer is stable during transport.


Levelling the machine



The machine must be perfectly level to ensure safe and proper operation.

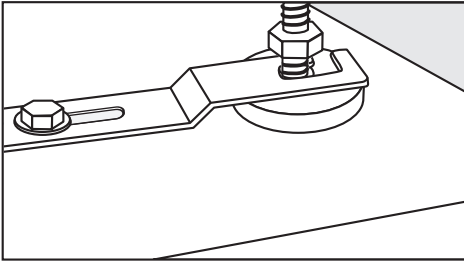



- The screw feet can be adjusted to compensate for any unevenness in the floor.

 A ventilation gap of 10 mm must be maintained between the base of the machine and the floor. It must not be blocked by deep pile carpets, plinths, etc, which would prevent a sufficient intake of cold air.

This tumble dryer is not suitable for building under.

Securing the tumble dryer against slippage




 Secure both front feet on the dryer using the fixing brackets supplied.

Payment system

The dryer can be fitted with a payment system (optional accessory). This must be connected and programmed by a Miele Service technician.


Coins/tokens must be removed from the payment system regularly, otherwise it will become blocked.

– Note for service technician:

 When connecting to a payment system, the plug connector on the push button switch (see wiring diagram) must be disconnected from its position ex-works and reconnected to the position for payment system operation. Failure to do this can cause the payment system to malfunction.

Installation and connection

Electrical connection

 All electrical work must be carried out by a suitably qualified and competent person in accordance with current local and national safety regulations (BS 7671 in the UK).

This machine is supplied with a connection cable without a plug for connection to a suitable connection socket or isolator switch.

The machine must only be operated with the voltage, frequency and fuse rating shown on the data plate supplied with the machine. Please ensure these match the site mains supply.


We recommend connecting the machine to the power supply via an IP44 plug and socket which must be easily accessible for servicing and maintenance work after the machine has been installed.


For hard-wired machines, connection must be made via a suitable mains switch with all-pole isolation which when in the off position ensures a 3 mm gap between all open contacts.


For extra safety and protection we recommend connecting the machine by a 30 mA residual current device (RCD).

An electrical safety test must be carried out after installation and after any service work.

The mains connection cable may only be replaced by an original Miele spare part.

 If the machine is disconnected from the electricity supply adequate measures must be taken to ensure that the machine cannot be reconnected to the electricity supply until all work has been carried out.

 This machine can be converted to a different voltage. Please observe the switching instructions given on the wiring diagram. Conversion may only be carried out by a Miele authorised service dealer or Miele technician. If the machine has been converted the *heater rating* must also be adapted.

 The machine must be permanently connected to the electricity supply to enable the programme to complete and to enable the load to cool down after drying. For this reason, it must not be connected to devices such as timers which would switch it off automatically.


WARNING
THIS MACHINE MUST BE
EARTHED

Single phase AC 230 V - country variant

This device is intended for connection to a power supply system where the maximum value of external phase neutral loop impedance Z_{max} of 0.39 Ohms at the point of distributor supply connection is not exceeded. If in doubt, please ask your electrical distributor for actual Z_{max} value. The user has to ensure that this device is connected only to a power supply system which fulfils the requirement above.

Installation - extraction ducting

General

 Before operating the tumble dryer, a suitable ducting system must be installed to carry the moist air from the dryer to the outside.

The dryer must be disconnected from the mains electricity supply whilst the ducting system is installed.

The venting outlet (e.g. in a wall) should be installed in such a way that the moist expelled air:

- . . cannot be drawn back into the room in which the dryer is installed;
- . . . cannot cause any damage to the building or other nuisance.

The dryer uses the room air. It is therefore essential to ensure adequate ventilation to avoid the **danger of asphyxia and toxic fumes** caused by gases given off by other appliances being drawn back into the room. Insufficient ventilation will also cause drying times to be considerably longer. Ventilation can be maintained by:

- an open window,
- air inlets in the external wall (approx. 237 cm²) which cannot be closed or blocked, or
- a window contact which prevents the dryer being used when the window is closed.

Avoid:

- very long ducting systems.
- too many tight bends or corners.

Otherwise the drying result will be less effective, and it will take longer and use more energy.

Suitable materials

- for the ventilation ducting:
flexible ducting* or plastic piping with a diameter of at least 100 mm.
- for venting to the outside:
a wall vent kit* or a window vent kit*.

(* optional extras)

To calculate the total duct length

Friction against the inner walls of the vent ducting will slow down the expelled air as it passes through the ducting. An elbow, bend, non-return flap or wall vent creates more friction than a straight duct. The friction created by each of these is expressed as an **additional duct length factor**. The additional duct length factors are calculated by comparing the friction created by, for example, an elbow to that created by 1 metre of straight plastic piping (see Table 1).

The additional duct length factor for each item needs to be added together to ascertain the **total duct length** which will be needed for the venting system. The total duct length is a means of calculating the friction created by the venting system as a whole.

A larger **internal duct diameter** also helps reduce friction. If the total duct length is **more than 20 m**, the duct diameter should be increased (see Table II).

To calculate the total duct length

1. First measure the distance requiring straight ducting. Multiply this amount by the corresponding additional length factor in **Table I**.
2. Establish the number of angles, bends etc., and add their additional length factors together with the help of **Table I**.
3. Add all the additional length factors to give the total duct length.

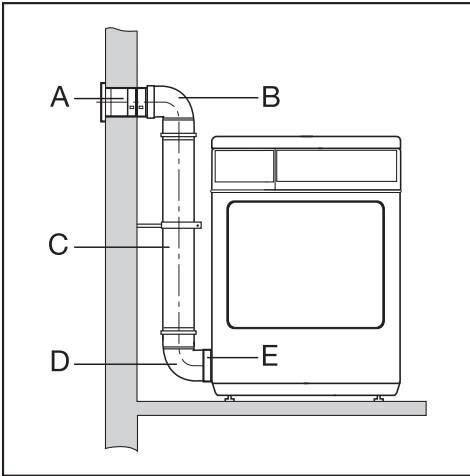
4. Refer to **Table II** for the appropriate duct diameter required.

Table I	
Component	Additional duct length factor
Flexible ducting*	
– 1 m laid <u>straight</u>	1.8 m
– 45° angle (Bend radius = 0.25 m)	1.5 m
– 90° angle (Bend radius = 0.25 m)	2.5 m
Flexible aluminium ducting*/plastic piping	
– 1 m laid <u>straight</u> , or 1 m straight pipe	1.0 m
– 45° angle (Bend radius = 0.25 m)	0.6 m
– 90° angle (Bend radius = 0.25 m)	0.8 m
Wall vent kit* or window vent kit*	
– with louvred grill	3.8 m
– with non-return flap (hinged flap)	1.5 m
Non-return flap* integrated into the vent ducting	14.3 m
Flat ducting (for washer-dryer stack)*	11.0 m
Venting connection to the left/right	1.0 m
* optional accessory	

Table II	
Maximum total duct length allowable	Internal duct diameter required
20 m	100 mm
40 m	125 mm
80 m	150 mm

Installation - extraction ducting

Calculation example



A	Wall pipe, with louvred vent		
	= 1 x 3.8 m Additional duct length	=	3.8 m
B/D	2 bends, 90°		
	= 2 x 0.8 m Additional duct length	=	1.6 m
C	0.5 m plastic piping		
	= 0.5 x 1 m Additional duct length	=	0.5 m
E	Side connection, left		
	= 1 m Additional duct length	=	1.0 m
	total duct length	=	6.9 m

Result: A duct diameter of 100 mm is adequate as the total duct length is less than the 20 m specified in Table II.

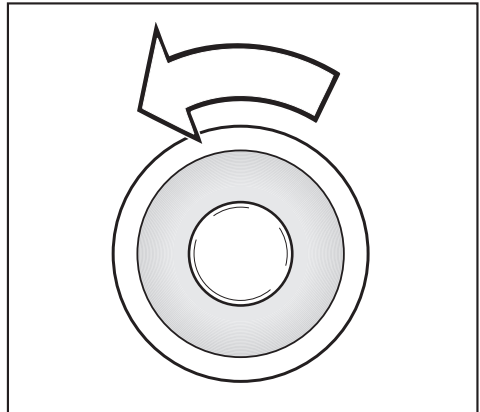
Installation to the rear, left or right hand side of the machine

To the rear

The connection is opened at the factory.

- Fit one of the venting systems described on the following pages.

To the left or right side of the machine.



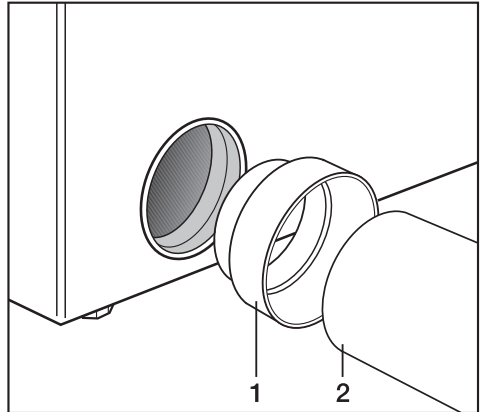
- Turn the cover flap anti-clockwise.
- Refit it securely in the rear outlet.
- Fit one of the venting systems described on the following pages.

Venting system with plastic piping

An adapter for installing piping is supplied with the dryer. Plastic piping is a good option where the vented air has to be ducted for some distance. The smooth walls of the pipe are less resistant to vented air than the walls of a flexible vent hose, for example. Time and energy consumption are better with plastic piping.

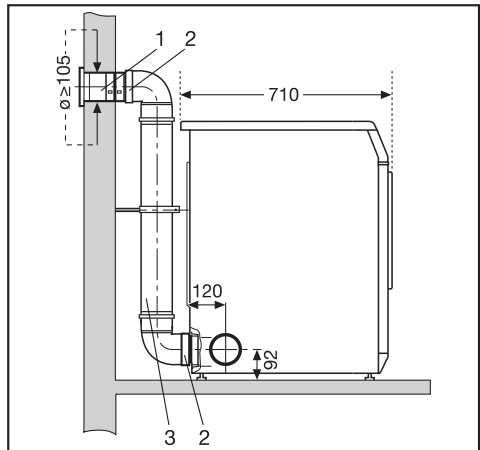
The following items are required:

- an adapter (supplied)
- a wall vent kit* or window vent kit* (* optional accessories)
- suitable plastic piping, available from your dealer or builders' merchant. Where the pipe diameter is more than 100 mm, an adapter is necessary (e.g. 100 to 125 mm) to connect the pipe to the dryer.



- The piping (2) is connected to adapter (1) which is fitted into the vent opening on the dryer.

Example



1. Wall vent kit
(separate fitting instructions are supplied with the Miele wall vent kit)
2. Adapter
3. Plastic piping,
diameter DN 100

Installation - extraction ducting

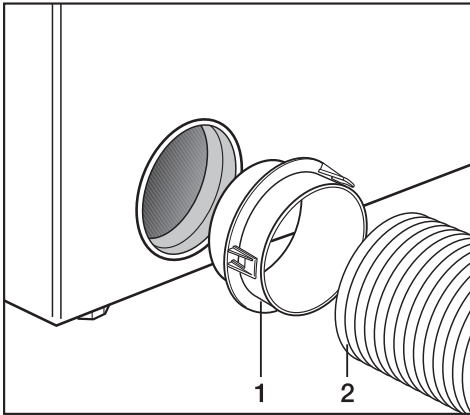
Venting system with flexible ducting

This is a simple method of directing the moist air outside using an adapter*.

The following items are required:

- flexible ducting hose*
- an adapter* for flexible ducting hose
- a wall vent kit* or window vent kit*.

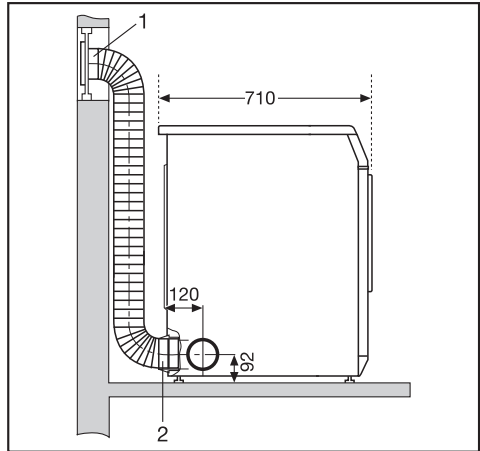
(* optional accessories)



- The ducting (2) is connected to adapter (1) which is fitted into the vent opening on the dryer.

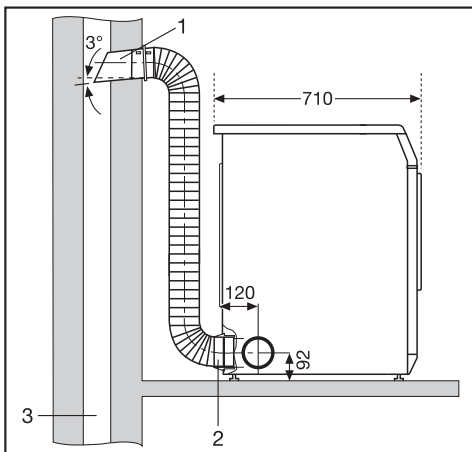
Example

Window vent




1. Window vent kit (fitted in a "plexiglass" pane)
(separate fitting instructions are supplied with the Miele window vent kit)
2. Adapter for flexible ducting hose

Connection to an exhaust flue




1. Pipe with connection piece
(= supplied with wall vent kit)
2. Adapter for flexible ducting hose
3. Exhaust flue insulated against damp

 The exhaust air must not be vented into a chimney or vent flue which is in use, nor should it be connected to ducting which ventilates rooms with fireplaces.

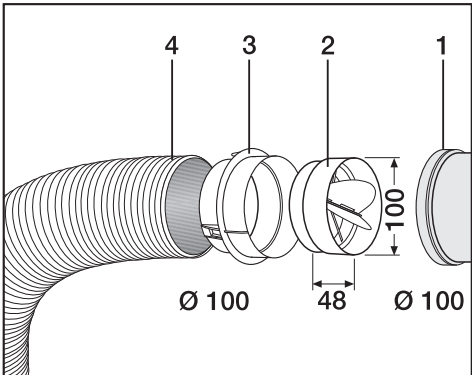
Installation - extraction ducting

Main venting duct

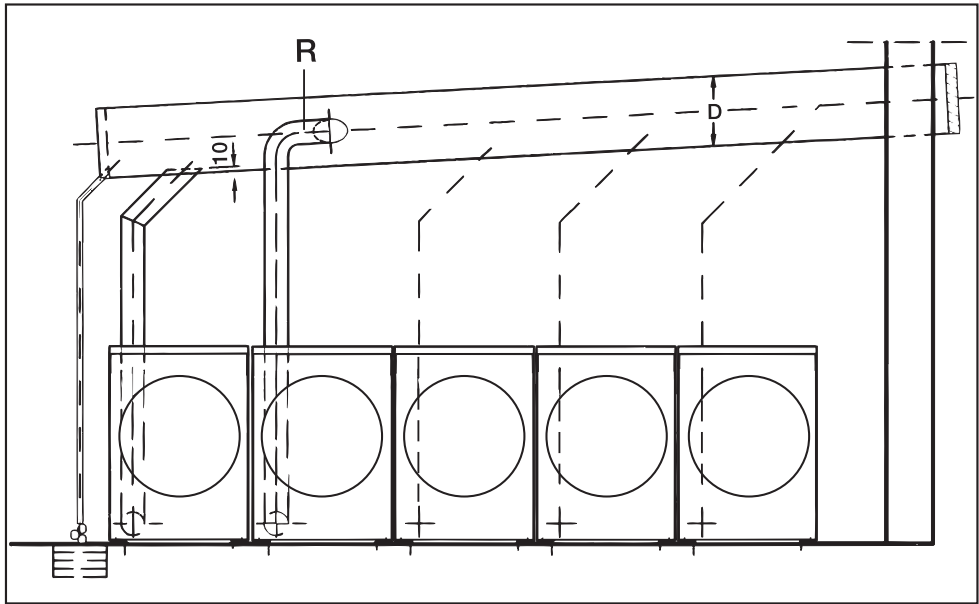
 There **must** be one non-return flap per dryer installed directly on the main venting duct **R**. Additional Miele accessories* are required for this purpose, otherwise the dryers could be damaged and their electrical safety compromised.

Where three to five dryers are being installed, the pipe diameter **D** must be increased.

Number of Dryers	Multiplication factor for the pipe diameter from Table II
2	1
3	1.25
4-5	1.5



- 1 Connection to the main venting duct
 - 2 Miele non-return flap*
 - 3 Additional Miele adapter*
 - 4 Miele vent hose, very flexible*
- Push the non-return flap (2) completely into the adapter (3).



Technical data

Height	850 mm
Width	595 mm
Depth	710 mm
Depth with door open	1188 mm
Weight	57.5 kg
Drum volume	130 l
Maximum capacity	6.5 kg dry weight
Length of connection cable	1600 mm
Voltage	See data plate
Connected load	
Fuse rating	
Lamp wattage	
Test certificates awarded	
Max. load bearing in operation	approx. 705 Newton
Product safety standard	According to EN 10472, EN 60335
Emission sound pressure level in accordance with EN ISO 11204/11203	< 70 dB re 20 µPa

United Kingdom

Miele Co. Ltd.
Fairacres, Marcham Road
Abingdon, Oxon, OX14 1TW
Customer Contact Centre Tel: 0330 160 6600
E-mail: mielecare@miele.co.uk
Internet: www.miele.co.uk

Australia

Miele Australia Pty. Ltd.
ACN 005 635 398
ABN 96 005 635 398
1 Gilbert Park Drive, Knoxfield, VIC 3180
Tel: 1300 464 353
Internet: www.miele.com.au

China

Miele (Shanghai) Trading Ltd.
1-3 Floor, No. 82 Shi Men Yi Road
Jing' an District
200040 Shanghai, PRC
Tel: +86 21 6157 3500, Fax: +86 21 6157 3511
E-mail: info@miele.cn, Internet: www.miele.cn

Miele (Hong Kong) Limited

41/F - 4101, Manhattan Place
23 Wang Tai Road
Kowloon Bay, Hong Kong
Tel: (852) 2610 1331, Fax: (852)2610 1013
Email: mielehk@miele.com.hk

India

Miele India Pvt. Ltd.
Ground Floor, Copia Corporate Suites
Plot No. 9, Jasola
New Delhi - 110025
Tel: 011-46 900 000, Fax: 011-46 900 001
E-mail: customercare@miele.in, Internet: www.miele.in

Ireland

Miele Ireland Ltd.
2024 Bianconi Avenue
Citywest Business Campus, Dublin 24
Tel: (01) 461 07 10, Fax: (01) 461 07 97
E-Mail: info@miele.ie, Internet: www.miele.ie

Manufacturer: Miele & Cie. KG

Carl-Miele-Straße 29, 33332 Gütersloh, Germany

Miele

Malaysia

Miele Sdn Bhd
Suite 12-2, Level 12
Menara Sapura Kencana Petroleum
Solaris Dutamas No. 1, Jalan Dutamas 1
50480 Kuala Lumpur, Malaysia
Phone: +603-6209-0288
Fax: +603-6205-3768

New Zealand

Miele New Zealand Limited
IRD 98 463 631
Level 2, 10 College Hill
Freemans Bay, Auckland 1011, NZ
Tel: 0800 464 353
Internet: www.miele.co.nz

Singapore

Miele Pte. Ltd.
163 Penang Road
04 - 03 Winsland House II
Singapore 238463
Tel: +65 6735 1191, Fax: +65 6735 1161
E-Mail: info@miele.com.sg
Internet: www.miele.sg

South Africa

Miele (Pty) Ltd
63 Peter Place, Bryanston 2194
P.O. Box 69434, Bryanston 2021
Tel: (011) 875 9000, Fax: (011) 875 9035
E-mail: info@miele.co.za
Internet: www.miele.co.za

United Arab Emirates

Miele Appliances Ltd.
P.O. Box 11 47 82
Gold & Diamond Park, Sheikh Zayed Road
Building 6 / Offices Nos. 6-214 to 6-220
Dubai
Tel: +971-4-341 84 44
Fax: +971-4-341 88 52
E-Mail: info@miele.ae
Internet: www.miele.ae